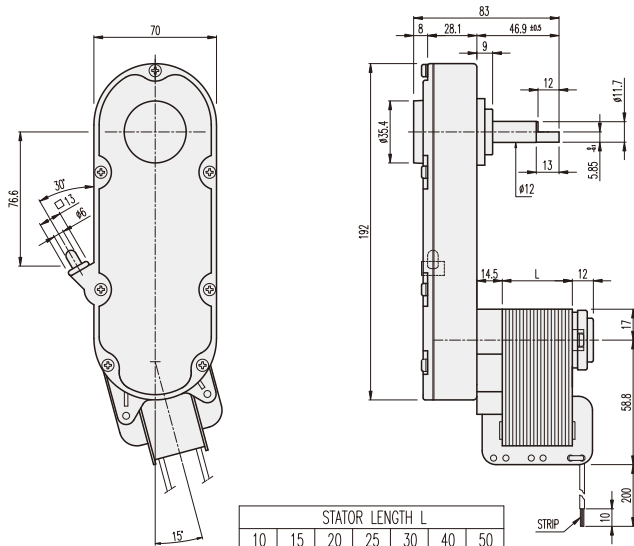


## KGL-TYPE

### DIMENSIONS

#### KGL SERIES



#### AT MAXIMUM EFFICIENCY (KGL-0082-KA61□□AE)

MOTOR	KA6120AE				KA6130AE				KA6140AE				KA6150AE			
	50		60		50		60		50		60		50		60	
	rpm	kgf-cm	rpm	kgf-cm	rpm	kgf-cm	rpm	kgf-cm	rpm	kgf-cm	rpm	kgf-cm	rpm	kgf-cm	rpm	kgf-cm
GEAR RATIO																
1/0082	29.2	4.3	35.3	3.4	29.2	8.1	35.3	5.8	29.2	10.6	35.3	8	29.2	13.3	35.3	10.8

\* 以上數據基於所應用的陰影極電動機的一般類型。