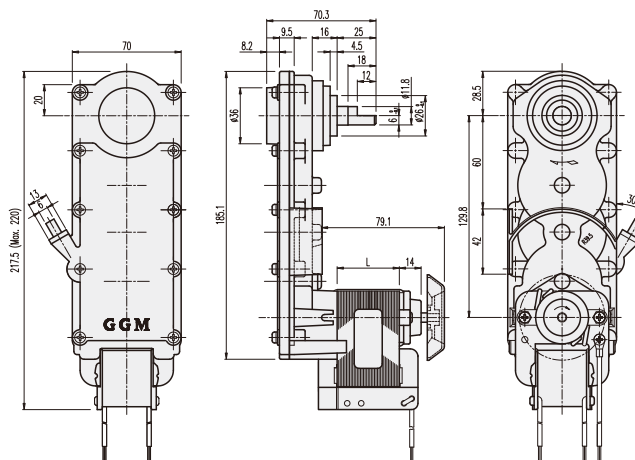
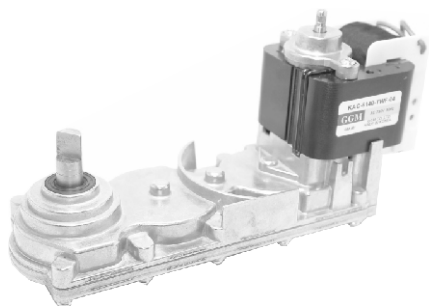


KGL2-TYPE

DIMENSIONS

KGL2 SERIES



STATOR LENGTH L						
10	15	20	25	30	40	50

AT MAXIMUM EFFICIENCY (KGL2-0085-KA61□□AE)

MOTOR	KA6120AE				KA6130AE				KA6140AE				KA6150AE			
	50		60		50		60		50		60		50		60	
GEAR RATIO	rpm	kgf-cm	rpm	kgf-cm	rpm	kgf-cm	rpm	kgf-cm	rpm	kgf-cm	rpm	kgf-cm	rpm	kgf-cm	rpm	kgf-cm
1/0085	28.2	4.5	34.1	3.6	28.2	8.4	34.1	6	28.2	11	34.1	8.3	28.2	13.8	34.1	11.2

* 以上數據基於所應用的陰影極電動機的一般類型。